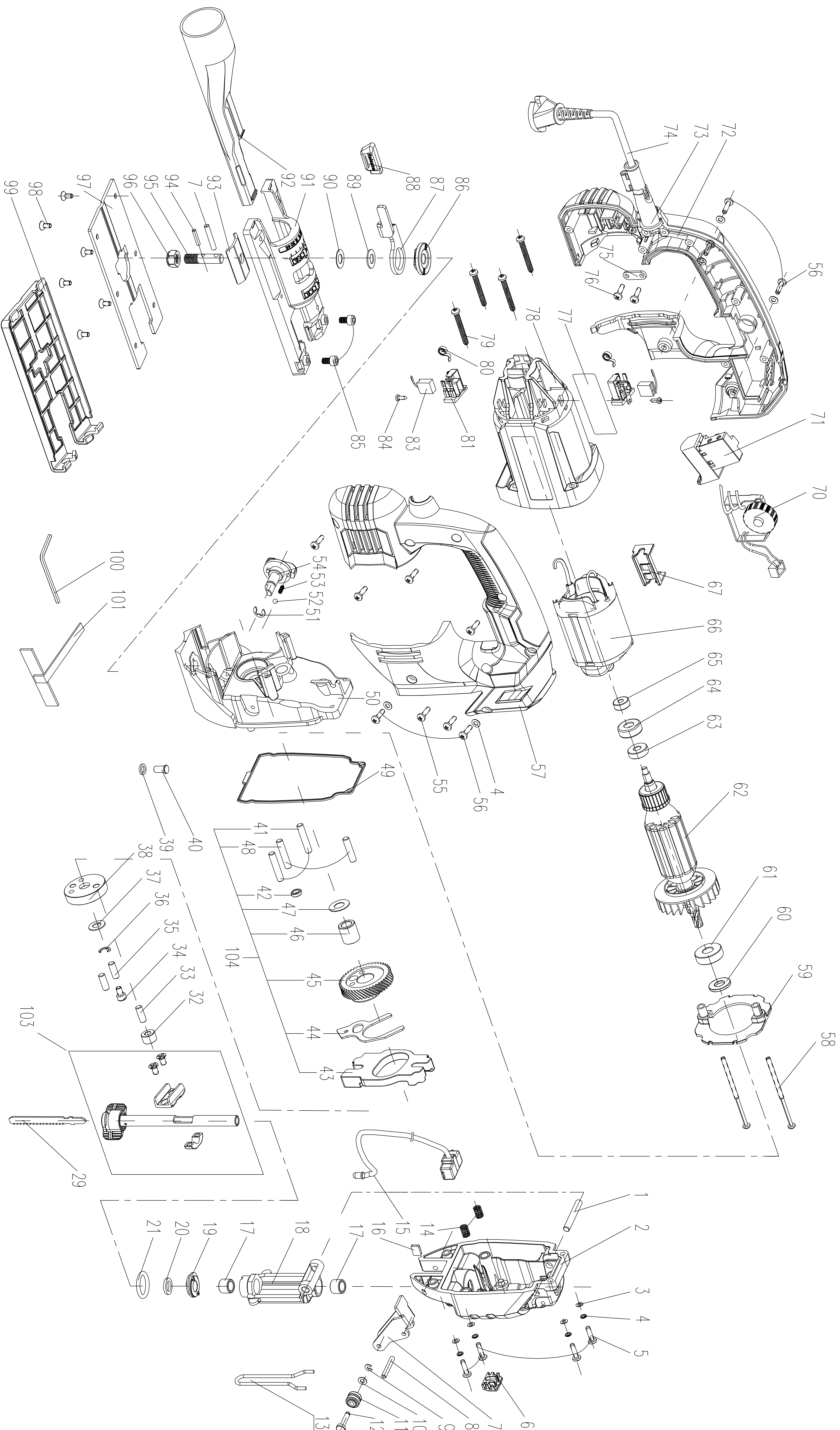


# DX57

Version:00  
Date:230530



Model No	Position No	Material No	Description	QTY	Remarks	Recommended order ratio	Serial No
DX57	1	60062424	Pin	1			
DX57	2	60062425	Cover	1			
DX57	3	60062426	Paint Washer	8			
DX57	4	60062427	Elastic Washer	4			
DX57	5	60062428	Screw	4			
DX57	6	60062429	Lamp Cover	1			
DX57	7	60062430	Pendulum Support	2			
DX57	8	60062431	Pin	1			
DX57	9	60062432	Circclip	1			
DX57	10	60062433	Pulley Washer	1			
DX57	11	60062434	Pulley	1			
DX57	12	60062435	Roller Shaft	1			
DX57	13	60062436	Steel Wire	1			
DX57	14	60062437	Spring	1			
DX57	15	60062438	LED Set	1			
DX57	16	60062439	Plastic Washer	1			
DX57	17	60062440	Copper bush	2		3%	
DX57	18	60062441	Oscillating rack	1			
DX57	19	60062442	Fleece Washer	1			
DX57	20	60062443	Fixed circle	1			
DX57	21	60062444	O Ring	1			
DX57	29	60062452	Wood outting blade	1		5%	
DX57	32	60062455	Roller assembly	1			
DX57	33	60062456	Pin	1			
DX57	34	60062457	Screw	1			
DX57	35	60062458	Fixing Din	2			
DX57	36	60062459	Ballie	1			
DX57	37	60062460	Rotation wheel	1			
DX57	38	60062461	Rotation wheel	1			
DX57	39	60062462	Seal ring	1			
DX57	40	60062463	Convex Pin	1			
DX57	41	60062464	Pin	2			
DX57	42	60062465	Cushion	1		3%	
DX57	43	60062466	Balance Block	1		3%	
DX57	44	60062467	Full Block	1		3%	
DX57	45	60062468	Sidle Gear	1		5%	
DX57	46	60062469	Needle Bearing HK081617	1		5%	
DX57	47	60062470	Gear Washer	1			
DX57	48	60062471	Pin	1			
DX57	49	60062472	Seal Ring	1			
DX57	50	60062473	Gear Case Cover	1		1%	
DX57	51	60062474	Uncork Clip	1			
DX57	52	60062475	Steel Ball	1			
DX57	53	60062476	Spring	1			
DX57	54	60062477	Gear Changing Lever Set	1			
DX57	55	60062478	Self Tapping Screw	4			
DX57	56	60062479	Screw	1			
DX57	57	60062480	Handle Cover	1			
DX57	58	60062481	Self Tapping Screw	2			
DX57	59	60062482	Air Ballie	1			
DX57	60	60062483	Sind Oil Ring	1		3%	
DX57	61	60062484	Bearing 6000	1		3%	
DX57	62	60064133	Rotor	1		3%	
DX57	63	60062486	Bearing 607	1		3%	
DX57	64	60062487	Bearing cover 607	1		3%	
DX57	65	60062488	Ferrt Ring	1			
DX57	66	60064134	Stator	1		3%	
DX57	67	60062490	Bracket	1			
DX57	70	60062491	Variable speed unit	1		5%	
DX57	71	60062492	Switch	1		3%	
DX57	72	60062493	Handle Cover	1			
DX57	73	60062494	Cable Sheath	1			
DX57	74	60067023	Cable & Plug	1			
DX57	74	60067024	Cable & Plug	1			
DX57	74	60064131	Cable & Plug	1			
DX57	74	60068661	Cable & Plug	1			
DX57	74	60067021	Cable & Plug	1			
DX57	75	60062496	Cord Clamp	1			
DX57	76	60062497	Self Tapping Screw	2			
DX57	77	60062498	Brand Label	1			
DX57	78	60062499	Housing	1			
DX57	79	60062500	Screw	4			
DX57	80	60062501	Spiral Spring	2		3%	
DX57	81	60062502	Brush Holder	2		3%	
DX57	83	60064132	Carbon Brush(Pair)	1		3%	
DX57	84	60062504	Self Tapping Screw	2			
DX57	85	60062505	Screw	2			
DX57	86	60062506	Cam	1			
DX57	87	60062507	Spanner	1			
DX57	88	60062508	Spanner button	1			
DX57	89	60062509	Spring	1			
DX57	90	60062510	Washer	1			
DX57	91	60062511	Base plate	1		3%	
DX57	92	60062512	Dust Pipe	1		1%	
DX57	93	60062513	Flat washer	1			
DX57	94	60062514	Pin	1			
DX57	95	60062515	Lock Thread Rod	1			
DX57	96	60062516	Nut	1			
DX57	97	60062517	Base Plate	1		3%	
DX57	98	60062518	Screw	6			
DX57	99	60062519	Base Plate Cover	1			
DX57	100	60062520	Spanner	1			
DX57	101	60062521	Parallell Guide	1			
DX57	103	60068596	Recirculator Rod Assembly	1			
DX57	104	60074827	Gear Set	1		3%	